

### Features

- Frequency range : 16MHz to 66MHz
- Ceramic SMD package
- Seam sealing
- External dimensions (mm)  
L : 2.0 x W : 1.6 x H : 0.5
- RoHS compliant & Pb free

### Applications

- Bluetooth, Wireless LAN
- Microprocessor
- Mobile phone, Computer, Modem
- Audio, Video
- Consumer products

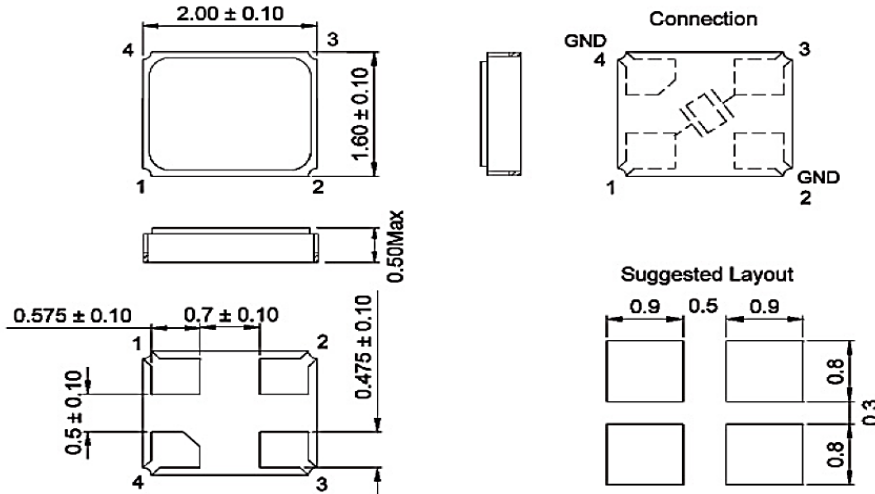
### Electrical Characteristics

Item		QT216S	Conditions
Frequency Range	$F_0$	16MHz ~ 66MHz	
Frequency Tolerance	$F_{tol}$	$\pm 30\text{ppm}$ , $\pm 20\text{ppm}$ , $\pm 10\text{ppm}$	at 25°C
Frequency Stability over Operating Temperature Range (refer to 25°C)	$F_{stab}$	$\pm 30\text{ ppm}$	-20°C ~ +70°C
		$\pm 20\text{ ppm}$	
		$\pm 10\text{ ppm}$	
		$\pm 10\text{ ppm}$	-30°C ~ +85°C
		$\pm 30\text{ ppm}$	-40°C ~ +85°C
		$\pm 20\text{ ppm}$	
$\pm 60\text{ ppm}$	-40°C ~ +125°C		
Operating Temperature Range	$T_{OTR}$	-20°C ~ +70°C	
		-30°C ~ +85°C	
		-40°C ~ +85°C	
		-40°C ~ +125°C	
Shunt Capacitance	$C_0$	3pF Max.	
Drive Level	$D_L$	1 ~ 200 $\mu$ W (50 $\mu$ W Typ.)	
Load Capacitance	$C_L$	6pF, 8pF, 10pF, 12pF, 18pF	
Aging	$F_{aging}$	$\pm 3\text{ ppm Max.}$	at 25°C $\pm 3^\circ\text{C}$ , first year
Storage Temperature Range	$T_{STR}$	-55°C ~ +125°C	

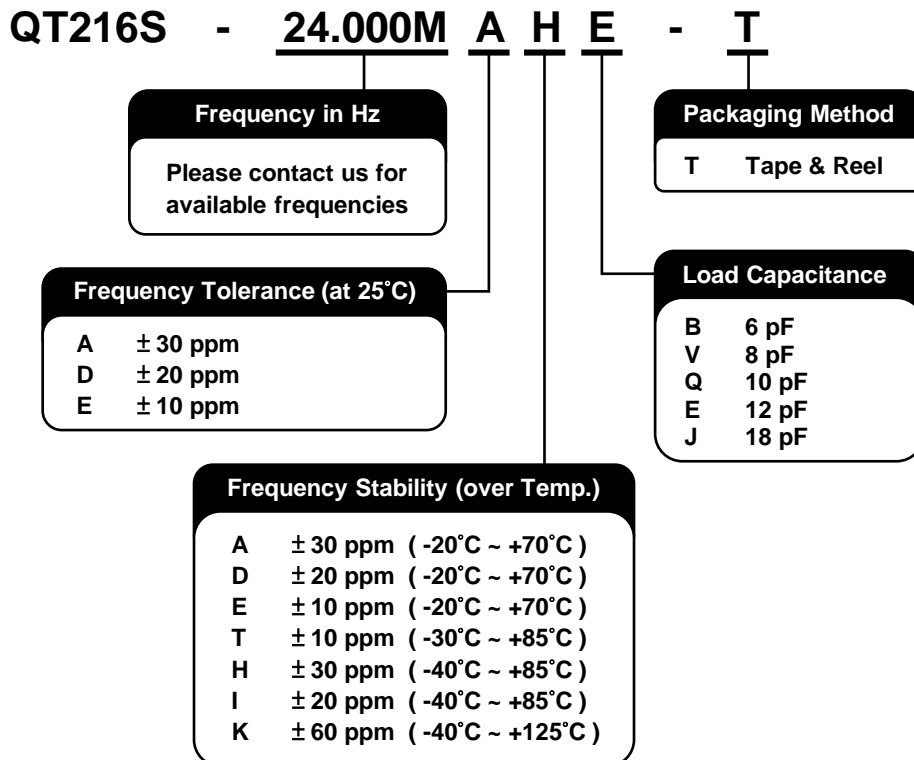
### Motional Resistance (ESR)

Fundamental	
16 ~ 19.2 MHz	120 $\Omega$ Max.
19.2 ~ 30 MHz	90 $\Omega$ Max.
30 ~ 66 MHz	50 $\Omega$ Max.

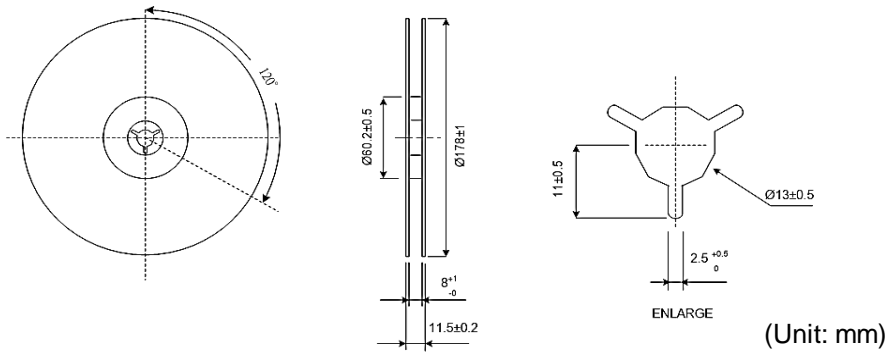
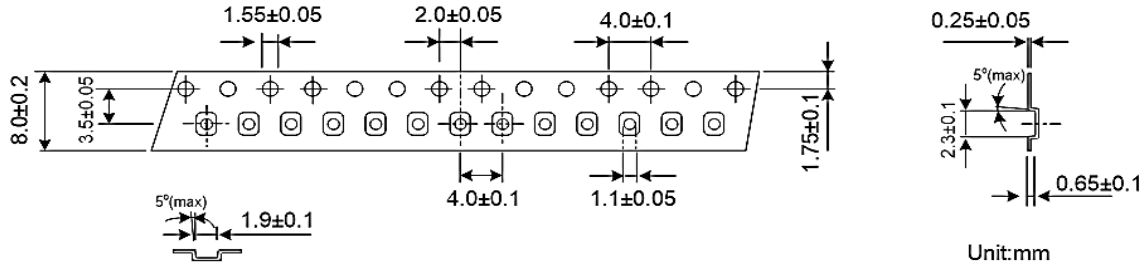
### Dimensions



### Ordering Information



### Packing



### Reflow Profile

Solder melting point :  $220^\circ\text{C} \pm 10^\circ\text{C}$ , 60 sec. Min.

Peak temperature :  $260^\circ\text{C} \pm 10^\circ\text{C}$ , 10 sec. Min.

