

Features

- Frequency range : 30kHz ~ 100kHz
- SMD : Plastic package
- External dimensions (mm)
L : 8.0 x W : 3.8 x H : 2.55
- RoHS compliant
Contains Pb, exempted by RoHS directive

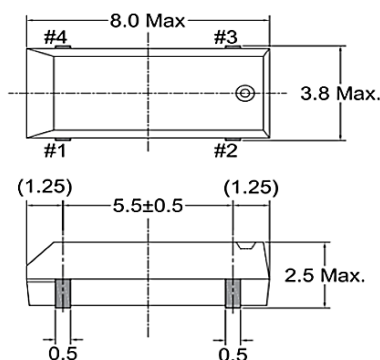
Applications

- Real-time clock (RTC)
- Security devices
- Communication devices

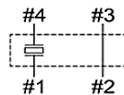
Electrical Characteristics

Item	Symbol	QT2V	Conditions
Nominal Frequency	f_0	30kHz ~ 100kHz	Please contact us for available frequencies
Frequency Tolerance	$\Delta f/f_0$	$\pm 20\text{ppm}$, $\pm 30\text{ppm}$	at 25°C
Load Capacitance	C_L	12.5 pF	
Operating Temperature Range	T_{OTR}	-40°C ~ +85°C	
Storage Temperature Range	T_{STR}	-55°C ~ +125°C	
Turnover Temperature	T_M	25°C \pm 5°C	
Temperature Coefficient	β	-0.034 \pm 0.006ppm/°C ²	
Motional Resistance (ESR)	R_1	50 k Ω Max.	at 25°C
Drive Level	D_L	1 μ W Max.	
Aging	$\Delta f/f_0$	± 5 ppm Max.	at 25°C \pm 3°C, first year
Shunt Capacitance	C_0	0.8pF ~ 1.7pF Typ.	Depend on frequency

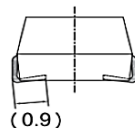
Dimensions



Internal Connection

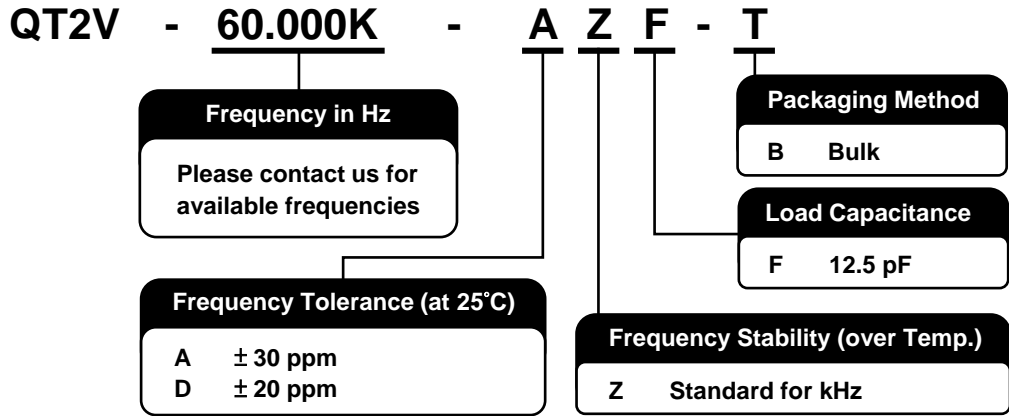


Do not connect to external terminals with pin2 & pin3.

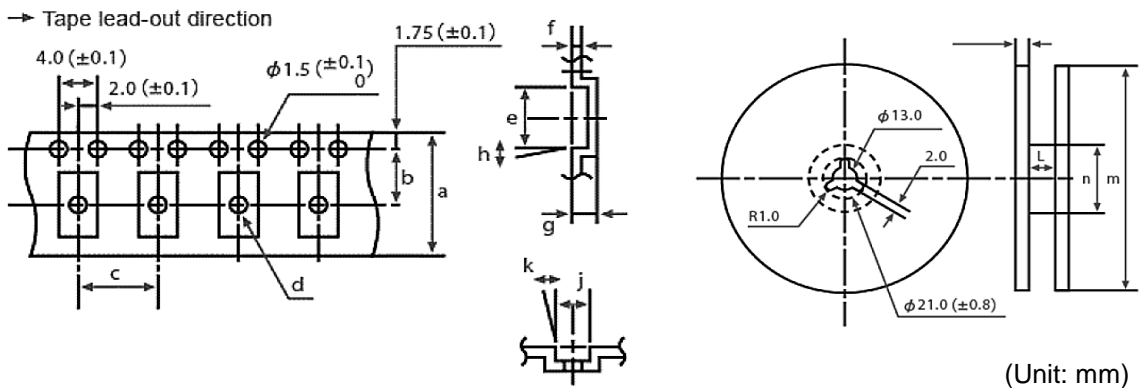


(Unit: mm)

Ordering Information



Packing



a	b	c	d (φ)	e	f	g	h	j	k	l	m (φ)	n (φ)
16.0	7.5	8.0	1.6	8.3	0.3	2.70	5°	4.05	5°	17.5	330	100

Reflow Profile

